



静音开关、创新体验

Silent switch, new experience

Features

Long electrical life cycles
Choice of colored caps
Choice of painted colored caps
Laser marking service
Small quantity order available

Applications:

Audio/video products
Instrumentation
Communication equipments...etc

产品特点:

超高亮LED照光，耐久鲜明
客制化帽盖选择
喷漆色盖、镭射雕刻服务
手感绝佳，质量可靠

使用范围：

音频、视频产品
仪器、通讯设备等...



行云流水、滑顺有感
Smooth Operation



鍍金雙接點、穩定耐用



Twin contacts with gold plating
assure high reliability and long life

LED照光顏色多變、可替換Cap



Various and durable
LED colors changeable cap

安靜無聲
Silent operation



Applications

Audio/video products.

Instrumentation.

Communication equipments...etc.

General Specifications: (产品规格)

Circuit: Momentary Type, SPST

Contact Rating: Max:100 mA 30V
Min: 1mA 5V DC

Contact Resistance: 200mΩ Max 5V DC/1 mA
by method of voltage drop

Insulation Resistance: 100MΩ Min. 100V DC

Dielectric Strength: Breakdown is not allowable: 250V AC for 1 minute

Actuation Force: 125±50gf

Operating Life: 300,000 cycles Min

Operating Temperature:-20°C to 70°C

Material: (产品材质)

Cap: Polycarbonate(PC)

Actuator: Polyamide(PA)+GF

Base Frame:Polyamide(PA)+GF

Terminal:Brass with gold plating

LED Specifications:

Color	V		Recommended Operating Current	VF	
				Nom	Max
Red	DC 5V	20mA	20mA	1.7V	2.4V
Green	DC 5V	20mA	20mA	1.9V	2.4V
Yellow	DC 5V	20mA	20mA	1.9V	2.4V
Blue	DC 5V	20mA	20mA	3.0V	3.6V
White	DC 5V	20mA	20mA	3.0V	3.6V

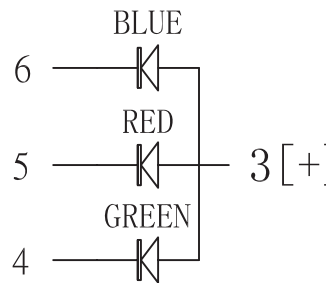
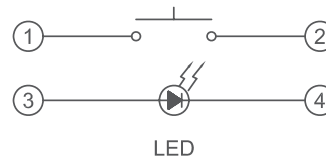
For the specification about the other LED colors ,Please contact with sales department.

HOW TO ORDER

SERIES	OPERATION	POLE	LED COLOR	LED BRIGHTNESS	LED COLOR	LED BRIGHTNESS	ACTUATOR	CAP TYPE	CAP COLOR	CAP SYMBOL
TL3	N	1	R	1	N	2	A	A	T	P5
	N=MOMENTARY	1=1 POLE	B=BLUE G=GREEN R=RED Y=YELLOW W=WHITE F=FULL COLOR N=NONE	1=HIGH 2=STANDARD N=NONE	B=BLUE G=GREEN R=RED Y=YELLOW W=WHITE F=FULL COLOR N=NONE	1=HIGH 2=STANDARD N=NONE	A=A TYPE	A=6.0mm sq B=8.6mm sq C=11.0mm sq D=11.0mm ro D-A=12mm ro E=15mm sq E1=15mm sq F=17.4mm sq F1=17.4mm sq	T=TRANSPARENT W=WHITE R=RED G=GREEN B=BLUE	

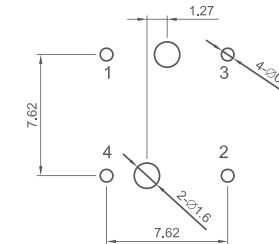
CAP Symbol:Please refer to cap selection for all available symbols on cap surface,and any customization is welcomed

CIRCUIT

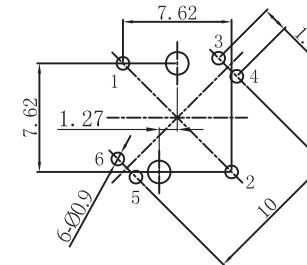


P. C. B LAYOUT

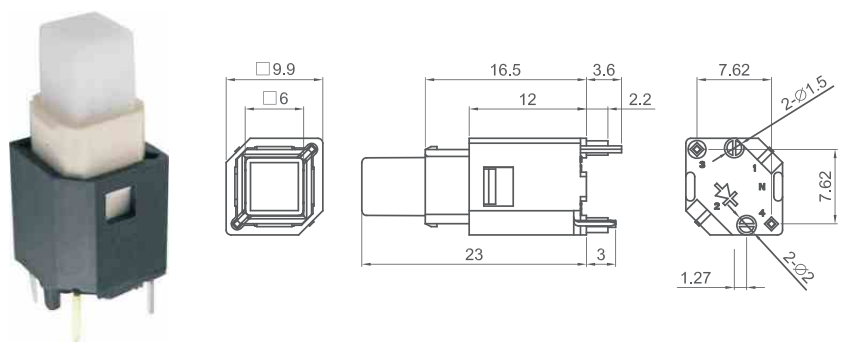
SINGLE&DOUBLE COLOR



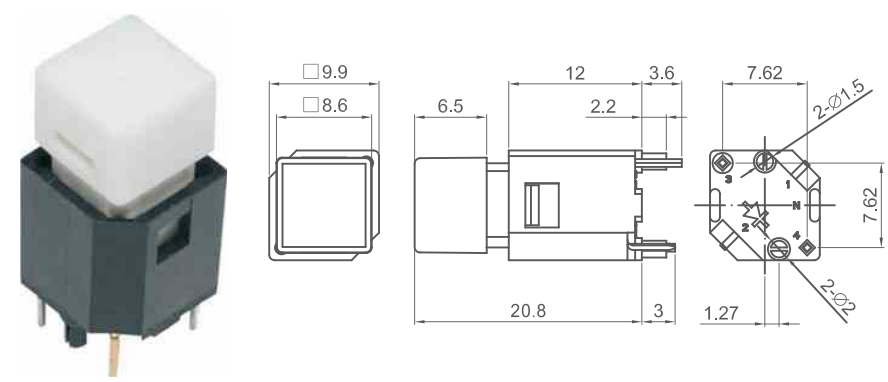
RGB



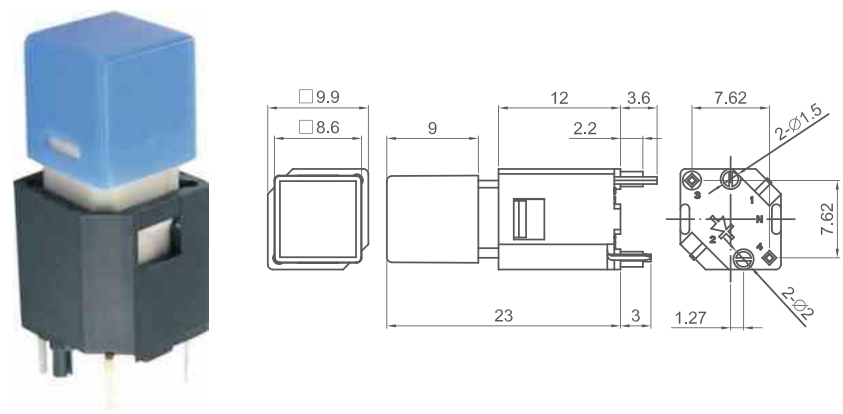
TL3-N1W1NN-AAW



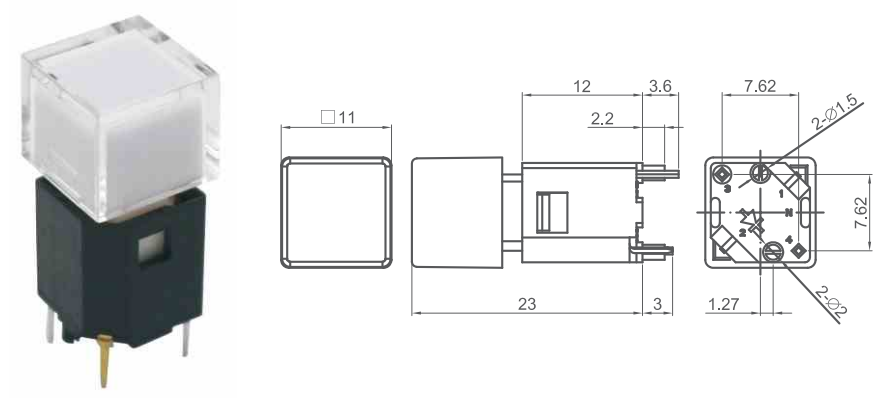
TL3-N1W1NN-AB1W



TL3-N1B1NN-ABB

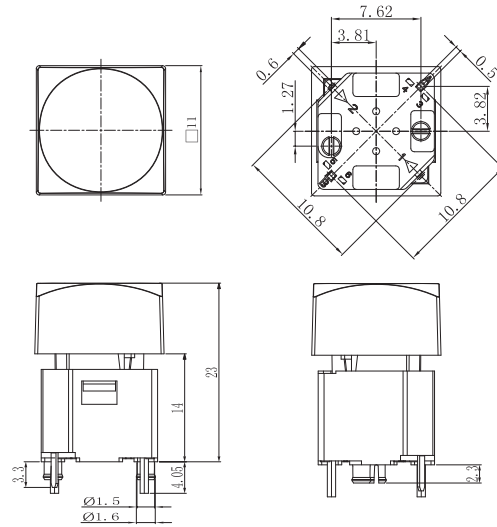


TL3-N1R1NN-ACT

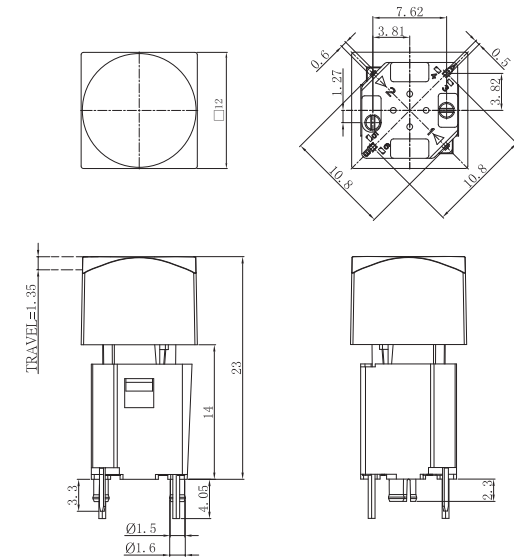


LED ILLUMINATED TACTILE SWITCH

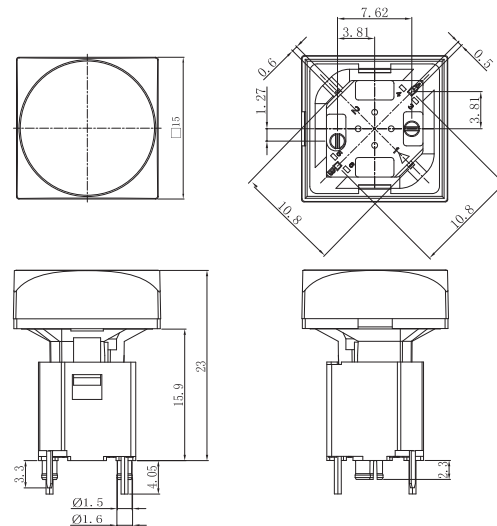
TL3-N1B1NN-ADT



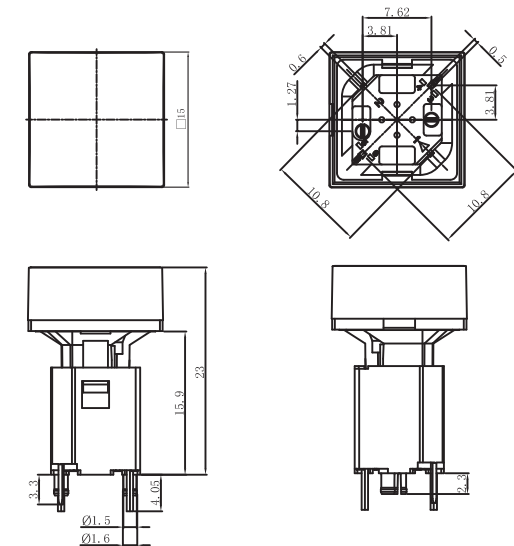
TL3-N1R1NN-ADT-A



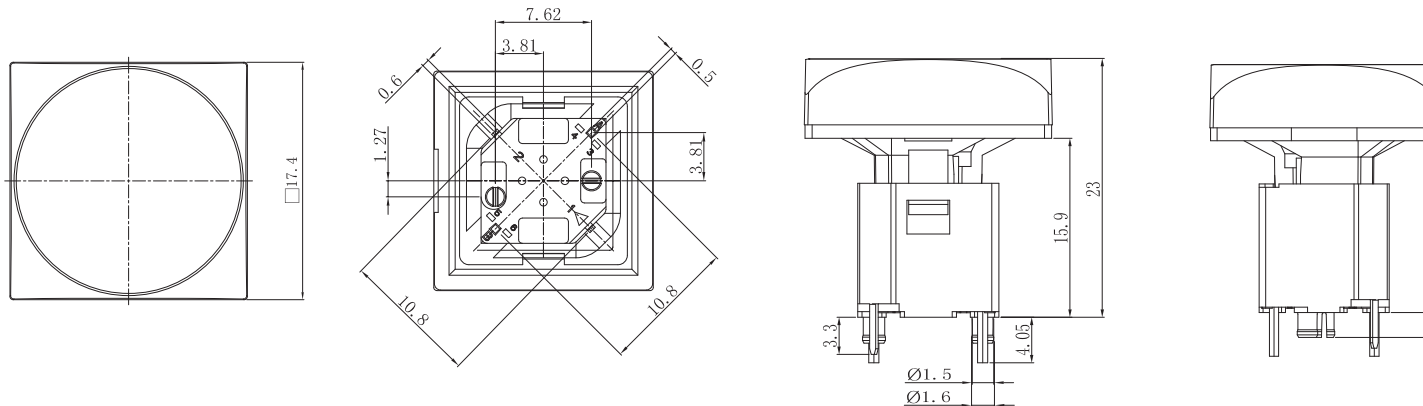
TL3-N1R1NN-AET



TL3-N1G1NN-AE1T



TL3-N1G1NN-AFT



TL3-N1R1NN-AF1T

